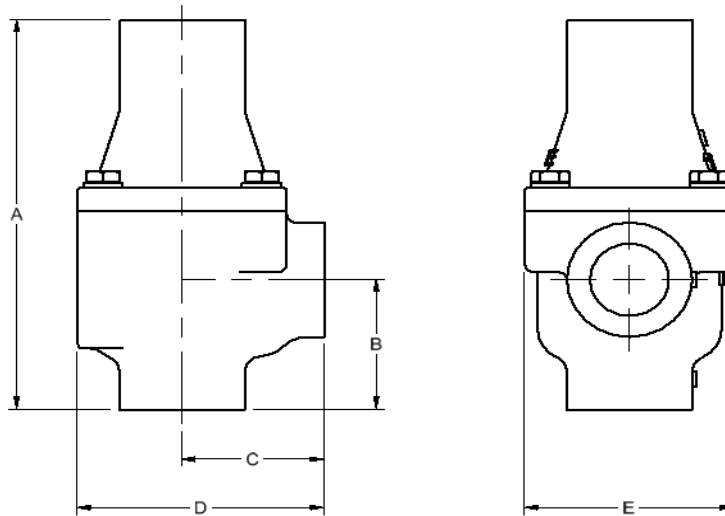


Model 1017 Thermostatic Control Valve Specifications

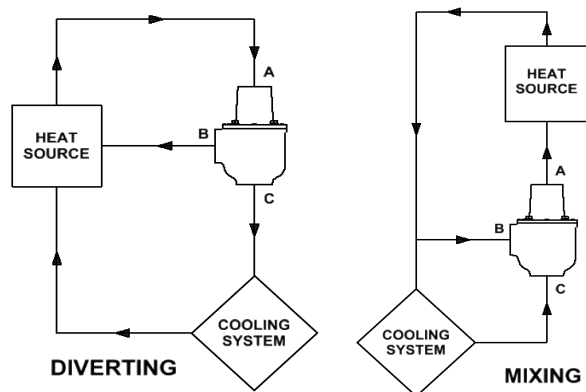
Ported Valves			PRINCIPAL DIMENSIONS UNITS - mm					Weight kg
MODEL NUMBER	CONNECTION SIZE	Material	A	B	C	D	E	AL
*1217	1/2 NPT	AL	160.3	54.0	54.0	93.7	79.4	1.1
*1217B	1/2 BSPT							
*1117	3/4 NPT							
*1117B	3/4 BSPT							
*1017	1 NPT							
*1017B	1 BSPT							
*1217A	1/2 BSPP							
*1117A	3/4 BSPP							
*1017A	1 BSPP							
*1017J8	SAE-8							
*1017J12	SAE-12							
*1017J14	SAE-14							
*1017J16	SAE-16							



Pressure Ratings	
Material	bar
Al	24.1

Standard Service Kits	
MODEL	SEAL MATERIAL
1000-XXX	Buna-N
1000V-XXX	Viton
1000E-XXX	Neoprene
REPLACE XXX WITH SET-POINT TEMPERATURE °F (One thermostat per valve)	

Application Schematics



Consult FPE representative for further information

www.FPEvalves.com

EUROPE, MIDDLE EAST,
AFRICA, ASIA + PACIFIC
+44 1733 206 678
emeaap@FPEvalves.com

AMERICAS
+1 262 548 6220
americas@FPEvalves.com

CHINA
+86 0519 8158 0102
china@FPEvalves.com