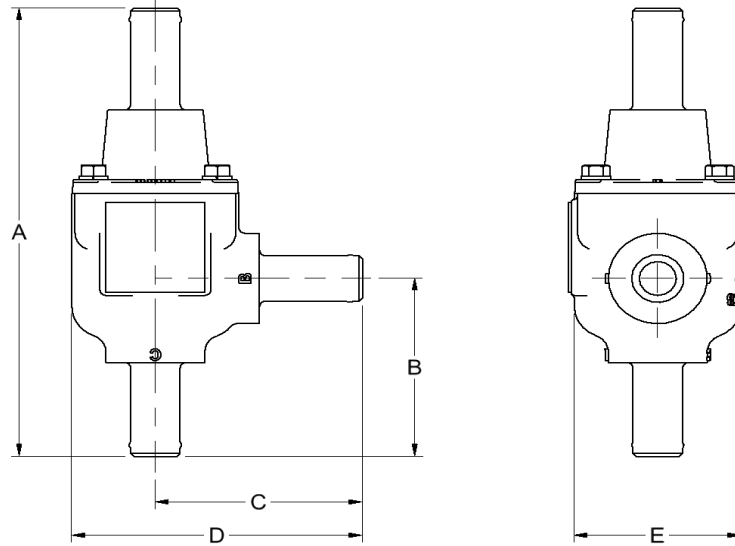


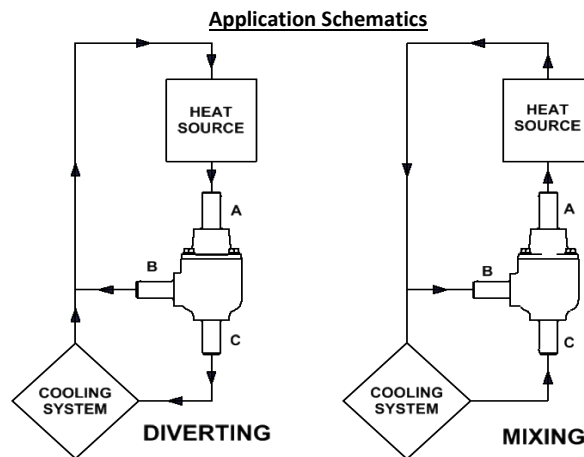
Model 1013 Thermostatic Control Valve Specifications - Standard

Valves			PRINCIPAL DIMENSIONS UNITS - in					Weight lb
MODEL NUMBER	CONNECTION SIZE	Material	A	B	C	D	E	
AL1013	1" HOSE BARB	AL	9.9	3.9	4.2	5.9	3.5	3.0



Pressure Ratings	
Material	PSI
Al	150

Standard Service Kits	
MODEL	SEAL MATERIAL
1000-XXX	Buna-N
1000V-XXX	Viton
1000E-XXX	Neoprene
REPLACE XXX WITH SET-POINT TEMPERATURE °F (One thermostat per valve)	



Consult FPE representative for further information

www.FPEvalves.com

EUROPE, MIDDLE EAST,
AFRICA, ASIA + PACIFIC
+44 1733 206 678
emeaap@FPEvalves.com

AMERICAS
+1 262 548 6220
americas@FPEvalves.com

CHINA
+86 0519 8158 0102
china@FPEvalves.com

Copyright 2017 FPE.