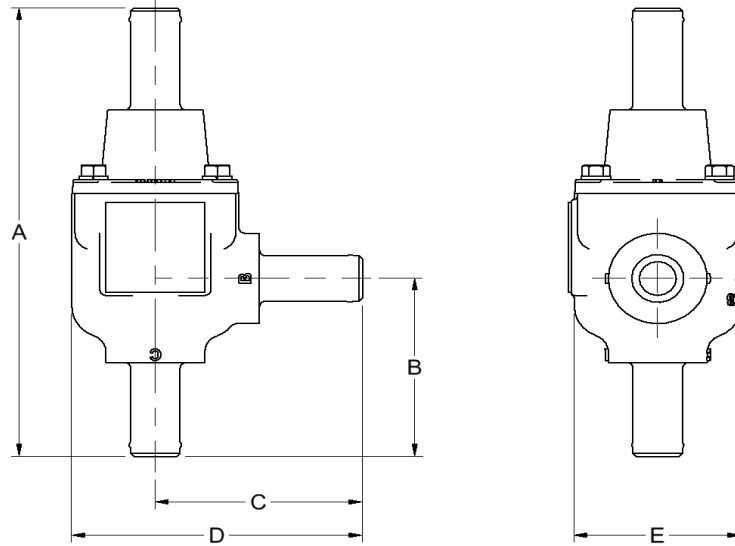


# Model 1013 Thermostatic Control Valve Specifications - Metric

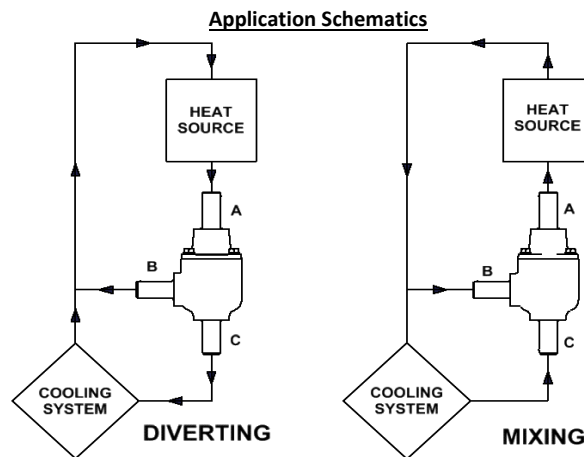
Valves			PRINCIPAL DIMENSIONS UNITS - mm					Weight kg
MODEL NUMBER	CONNECTION SIZE	Material	A	B	C	D	E	
AL1013	1" HOSE BARB	AL	251.9	100.0	106.3	149.0	88.9	1.4



Pressure Ratings	
Material	bar
Al	10.3

Standard Service Kits	
MODEL	SEAL MATERIAL
1000-XXX	Buna-N
1000V-XXX	Viton
1000E-XXX	Neoprene

REPLACE XXX WITH  
SET-POINT TEMPERATURE °F  
(One thermostat per valve)



Consult FPE representative for further information

[www.FPEvalves.com](http://www.FPEvalves.com)

EUROPE, MIDDLE EAST,  
AFRICA, ASIA + PACIFIC  
+44 1733 206 678  
[emeaap@FPEvalves.com](mailto:emeaap@FPEvalves.com)

AMERICAS  
+1 262 548 6220  
[americas@FPEvalves.com](mailto:americas@FPEvalves.com)

CHINA  
+86 0519 8158 0102  
[china@FPEvalves.com](mailto:china@FPEvalves.com)

Copyright 2017 FPE.