

Model 1010-1210 Thermostatic Control Valve Specifications - Standard

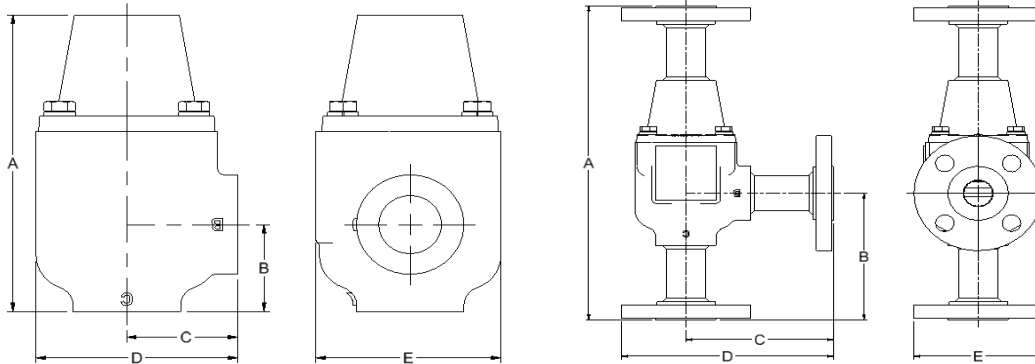
Ported Valves			PRINCIPAL DIMENSIONS UNITS - in					Weight - lb				
MODEL NUMBER	CONNECTION SIZE	Material	A	B	C	D	E	A	AL	B	D	S/SS
*1210	1/2 NPT	A/B/BL D/S/SS	6.0	1.8	2.1	3.8	3.5	7.0	3.0	8.3	6.8	7.5
*1210B	1/2 BSPT											
*1110	3/4 NPT											
*1110B	3/4 BSPT											
*1010	1 NPT											
*1010B	1 BSPT											
*1210A	1/2 BSPP		6.3	1.9	2.2	3.9		7.3	3.2	8.5	7.2	7.8
*1110A	3/4 BSPP											
*1010A	1 BSPP											
*1010J8	SAE-8											
*1010J12	SAE-12											
*1010J16	SAE-16											

REPLACE * WITH BODY MATERIAL: A=CAST IRON, AL= ALUMINUM, B= BRONZE, D=DUCTILE, S=STEEL, SS=STAINLESS (WEIGHTS ARE APPROXIMATE)

Socket Weld Valves			PRINCIPAL DIMENSIONS UNITS - in					Weight - lb
MODEL NUMBER	CONNECTION SIZE	Material	A	B	C	D	E	S/SS
*1010F16	1/2" SOCKET WELD	S/SS	6.1	1.9	2.1	3.8	3.5	7.6
*1010F24	3/4" SOCKET WELD							
*1010F32	1" SOCKET WELD							

Flanged Valves			PRINCIPAL DIMENSIONS UNITS - in					Weight - lb
MODEL NUMBER	CONNECTION SIZE	Material	A	B	C	D	E	S/SS
SF1210	1/2" CLASS 150 RF	S	11.8	4.8	5.0	7.1	4.3	10.9
SF1210X	1/2" CLASS 300 RF		12.4	5.1	5.2	7.7	4.9	12.7
SF1110	3/4" CLASS 150 RF		11.8	4.8	4.9	6.9	3.9	12.4
SF1110X	3/4" CLASS 300 RF		12.4	5.1	5.2	7.6	4.6	16.1
SF1010	1" CLASS 150 RF		11.7	4.7	4.9	6.7	3.5	14.0
SF1010X	1" CLASS 300 RF		12.3	5.0	5.2	7.1	3.8	18.1
SSF1210	1/2" CLASS 150 RF	SS	11.6	4.7	4.9	7.0	4.3	10.9
SSF1210X	1/2" CLASS 300 RF		12.4	5.1	5.3	7.7	4.9	12.7
SS1110	3/4" CLASS 150 RF		11.6	4.7	4.9	6.8	3.9	12.4
SS1110X	3/4" CLASS 300 RF		12.4	4.1	5.2	7.6	4.6	16.2
SS1010	1" CLASS 150 RF		11.7	4.7	4.9	6.7	3.5	14.1
SS1010X	1" CLASS 300 RF		12.2	5.0	5.2	7.1	3.8	18.2

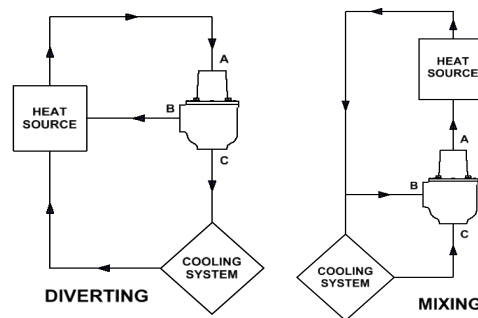
SOCKET WELD AND FLANGED VALVE MATERIAL: S=STEEL OR SS=STAINLESS ONLY (WEIGHTS ARE APPROXIMATE)



Pressure Ratings	
Material (Ported)	PSI
A	150
AL	150
B	180
D	225
S	670
SS	590
Material (Flanged)	PSI
S (Class 150)	250
SS (Class 150)	225
S (Class 300)	670
SS (Class 300)	590

Standard Service Kits	
MODEL	SEAL MATERIAL
1000-XXX	Buna-N
1000V-XXX	Viton
1000E-XXX	Neoprene
REPLACE XXX WITH SET-POINT TEMPERATURE °F (One thermostat per valve)	

Application Schematics



Consult FPE representative for further information

www.FPEvalves.com

EUROPE, MIDDLE EAST,
AFRICA, ASIA + PACIFIC
+44 1733 206 678
emeap@FPEvalves.com

AMERICAS
+1 262 548 6220
americas@FPEvalves.com

CHINA
+86 0519 8158 0102
china@FPEvalves.com

Copyright 2017 FPE.